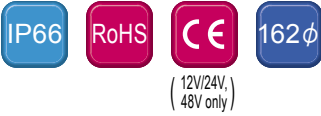


RLR



Colors Red, Amber, Green, Blue

Globe Polycarbonate resin with superb shock resistance and heat resistance

The RLR Series features an 162mm diameter, ultra-bright, maintenance-free LEDs, with high vibration resistance, ideal for moving vehicles.

- Gear-method system for controlling light source and motor significantly increases product life
- IP66 protection rating for dust and water
- Vibration resistance for up to 11.2G
- Available colors: Red, Amber, Green, Blue

Specifications

Model	Rated Voltage	Rated Power Consumption	Number of flashes	Mass	Colors
RLR-M1 RLR-M1-P	12/24V DC	7.6W	105/minute	1.0kg	R: Red or Y: Amber
RLR-04 RLR-04-P	48V DC	8.2W			G: Green or B: Blue
RLR-M2	100 - 240V AC	7.8W		1.06kg	R: Red or Y: Amber
RLR-M2-P	100 - 240V AC	7.8W			G: Green or B: Blue

Model Code

RLR-04-P-R

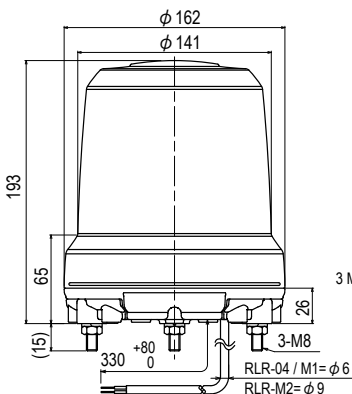
Model	Rated Voltage	Mounting pitch	Colors
04	48V DC	Blank	R Red
M1	12/24V DC	φ140	Y Amber
M2	100 - 240V AC	φ120	G Green
			B Blue

Optional Parts

For details, see pages 182 to 187.

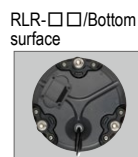
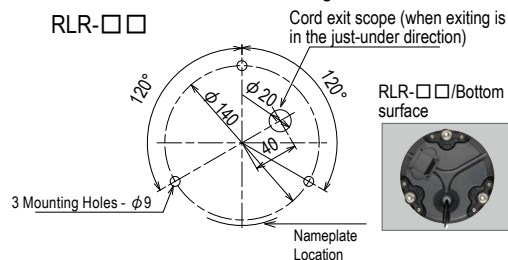
Optional Parts	Model
Wallmount Bracket	SZ-023
Wallmount Bracket	SZ-008

Dimensions (mm)

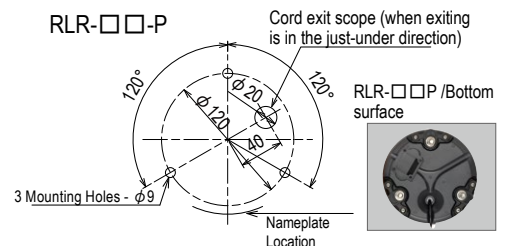


Installation Dimension Drawings

RLR-□□



RLR-□□-P



* Caution *

When it needs to be water resistant, please be sure to apply water-resistance at the time of wiring.
There is possibility of water penetration from the power source terminal surface.

Nominal cross sectional area : Wire type
RLR-04/M1 : 0.5mm² : HVCTF
RLR-M2 : 0.75mm² : VCT